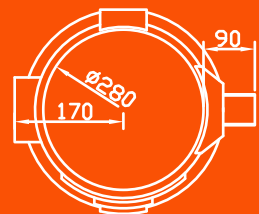


TYPHOON 160LCD

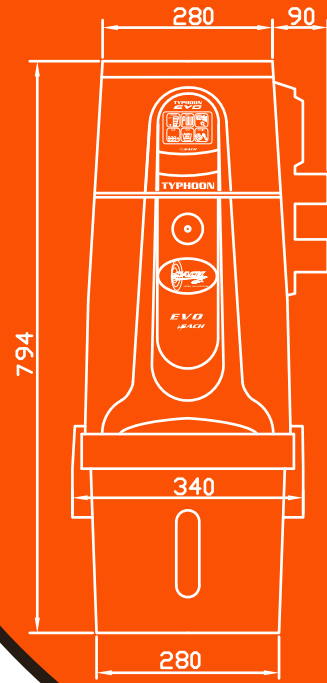
TECHNICAL CHARACTERISTICS

POWER (W)	1600
AIRFLOW (m ³ /H)	190
WATER LIFT (mm/H ₂ O)	3000
BIN CAPACITY (L)	20
HEPA FILTER SURFACE AREA (m ²)	0.5
WEIGHT (kg)	12
NOISE LEVEL (dB)	62
HIGH-SPEED BYPASS MOTOR	
LCD PANEL	

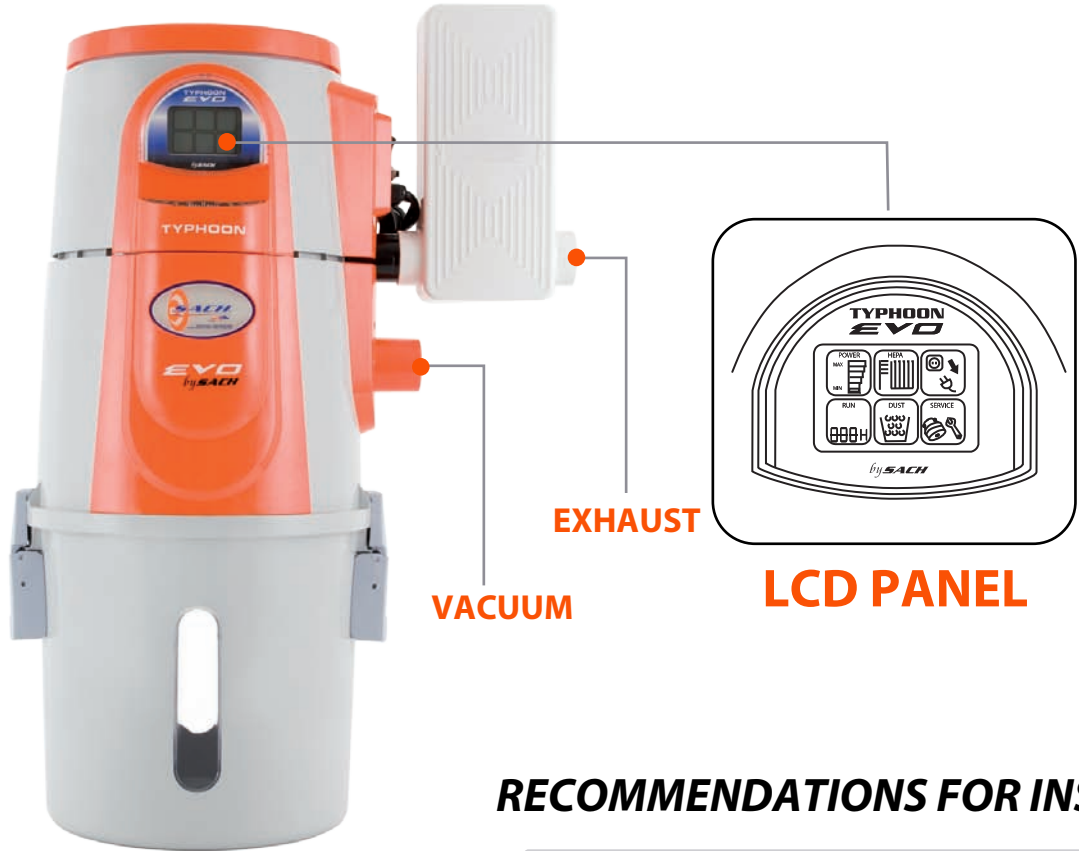
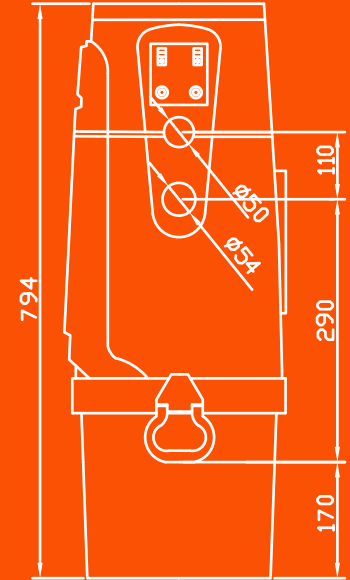
VIEW FROM ABOVE



FRONT VIEW



SIDE VIEW



RECOMMENDATIONS FOR INSTALLATION

DWELLING SIZE IN m ²	< 350
FURTHEST VALVE FROM THE UNIT (ml)	30
NUMBER OF VALVES	8